

ForPOS



FPK32

32" Self-service kiosk



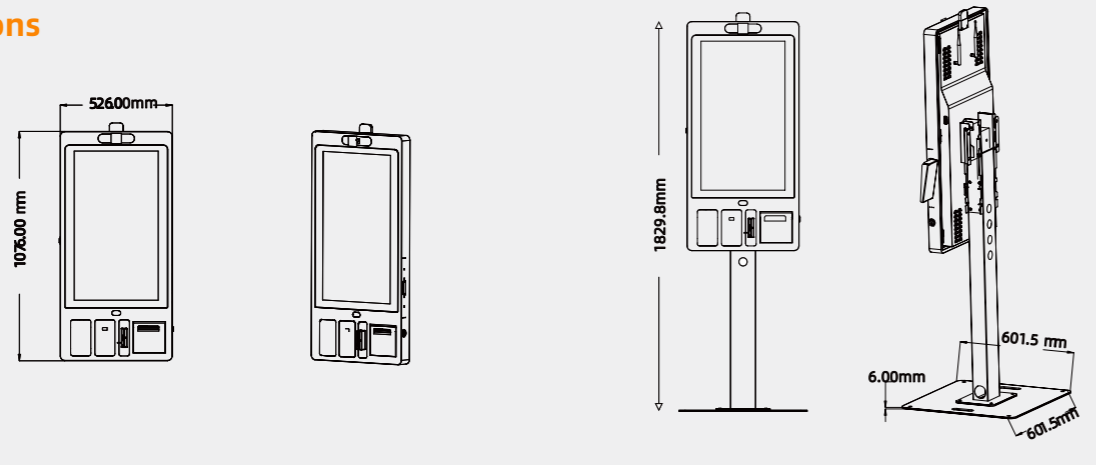
FPK32

32"Self-service kiosk

- 32" FHD industrial-grade LCD with PCAP touch panel;
- Modular design, printer, scanner, camera, NFC, MSR or customized devices;
- Optional logo light, status indicator and proximity sensor;
- Mini-PC box design for swap service purpose, support Windows and Android;
- Standard I/O ports connection;
- Sturdy pedestal, able to support two kiosks, wall mount optional;
- Lock (for kiosk chassis and printer) strengthens safety;
- Invisible, neat and safe cable management;
- Splashproof and dust-prevent design, excellent cooling system



Dimensions



FPK32 Data Sheet

Model Number	FPK32			
CPU Support	Intel Celeron J1900 2.0GHz (up to 2.41GHz,2MB cache)	Intel Core i3-6100U 2.3GHz (3MB cache)	Intel Core i5-6200U 2.3GHz (up to 2.8GHz,3MB cache)	Rockchip3568 Cortex-A55 (up to 2.0GHz)
System Memory	1x DDR3,SO-DIMM,4G,Max.8GB	1x DDR4,SO-DIMM,4G,Max.16GB		DDR4,2G(Onboard)
Storage Device	1x mSATA SSD 64G (128G/256G Optional)			eMMC 16G
Power	1 x 12V-7A/84W + 1 x 24V-2A/48W			
OS Support	Win10			Android 11.0
LCD	Size	32" TFT LCD Panel		
	Brightness	400cd/m ²		
	Resolution	1920*1080		
Touch Screen	True-Flat Projected Capacitive Touch			
External I/O Port	USB	2xUSB3.0 +6xUSB2.0		
	Serial port	2xRJ50 + 1xDB9	1xRJ50(TTL)	
	DC-IN	1x DC-IN		
	DC-OUT	1x DC-OUT Optional		
	VGA	1xVGA	N/A	
	HDMI	1xHDMI	N/A	
	LAN	2xLAN 10/100/1000Mb	1xLAN 10/100/1000Mb	
	Audio	1xAudio 3.5mm earphone connector,Support Line-Out&Line-In	1xAudio 3.5mm earphone connector,Support Line-Out&Line-In	
Standard Components	Printer	80mm thermal printer,auto cutter, 170mm/sec (max.)		
	Camera	5MP Single camera /5MP Dual camera Optional		
	Proximity Sensor	60-80cm Proximity Sensor	N/A	
	Speaker	2 x 2w Speaker		
Environment	Operating Condition	0°C - 50°C,20%RH - 90%RH		
	Storage Condition	20°C - 70°C,10%RH - 90%RH		
Physical Dimension	Principal machine	1176*656*248mm/36.8Kg		
	Column	1305*305*265mm/18.5Kg		
	Chassis	698*693*70mm/18.1Kg		
Optional	WIFI	mPCI-E WiFi/BT module	WiFi/BT(onboard)	
	Sanner	VT460(USB,1D,2D,Reading precision:=3mil,Dimension:36*45*25mm) DY3090(USB,1D,2D,Reading precision:=3mil,Dimension:21.4mm*10.8*15.2mm)		
	MSR	USB-HID Mode; 1 2 3 Track; ISO7810,7811-1/2/3/4/5,IBM,AAMVA,JIS-2 Standard		
	Payment Device Bracket Support	Custom bracket support for various EMV payment devices		
	NFC/RFID Reader	Support ISO/IEC 14443-A&B (MIFARE), JIS x 6319-4 (Felica), NFC protocols - tag read/write (ISO/IEC-18092)		
	Status light	Printer status light(Red light in error ,Blue light when ready)		
	Projector light	Projector light customize logo		



Status Indicator



Logo Light



Scanner RFID Reader



External Payment Terminal Slot



Main screen